

# veritas®

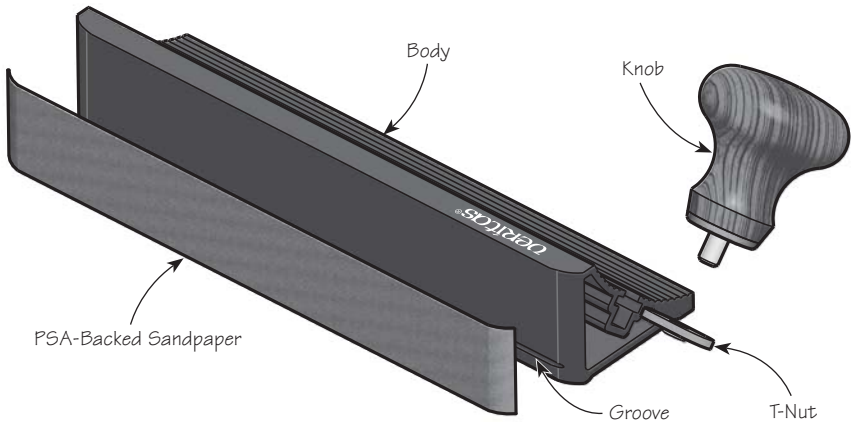
## Shooting Sander

---

The Veritas® Shooting Sander is designed specifically to be used with a user-made shooting board to accurately square the ends and sides of workpieces. It is particularly useful for workpieces that cannot be planed easily due to grain structure or thinness (e.g., veneers).

The shooting sander is available in two lengths, 8" long and 16" long. Both are sized to take a 1 1/4" wide strip of PSA-backed sandpaper. They are made from anodized, extruded aluminum and the reference surfaces are machined to a tight tolerance to ensure square edges.

The knob is mounted with a T-nut so that it can be positioned anywhere along the body to suit the user.



**Figure 1: Veritas Shooting Sander.**

### Installing the Sandpaper

Any PSA-backed sandpaper is compatible with the shooting sander. Choose an abrasive grit that is suitable for the work you are doing.

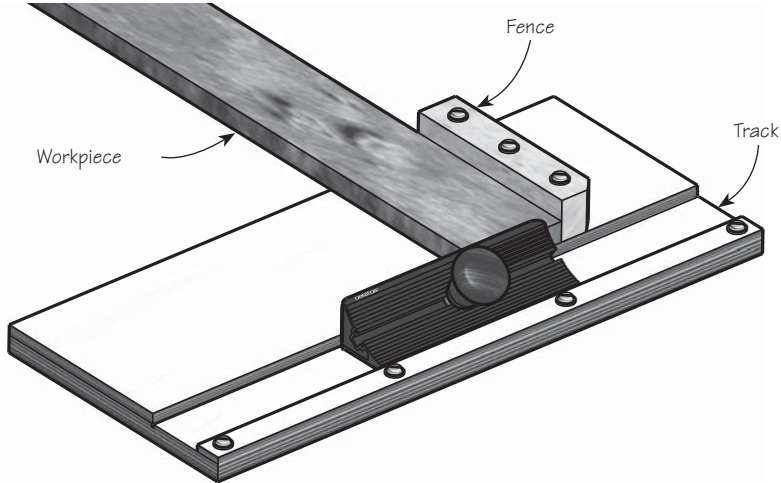
Position a 1 1/4" wide strip of PSA-backed sandpaper along the groove of the working face of the sander. This will leave a reference surface that will ride against your shooting board without wearing it away. The sandpaper included is longer than required and can be trimmed to size after it has been applied to the shooting sander.

When replacing the sandpaper, be sure to clean all adhesive residue off of the sander body before installing new abrasive. Use mineral spirits or a citrus-based solvent to remove the adhesive. Avoid harsh solvents such as acetone, toluene or xylene. Wipe the body with a clean rag dampened with methyl hydrate, methanol, methylated spirits or isopropyl alcohol to remove any oily residue from the mineral spirits or citrus-based solvents.

## Shooting

There are a number of shooting boards available commercially, as well as several plans available from a number of references.

A user-made shooting board can be as simple or complex as your needs. (See **Figure 2.**) The most critical element is to be sure the fence is accurately placed relative to the reference surface of the sander.



**Figure 2: Typical user-made shooting board.**

***Note:** With a base width of 2 1/8", the shooting sander is compatible with any shooting board that is similar to the Stanley #52 chute board.*

## Maintenance

The shooting sander is a fairly simple device and should not need any maintenance beyond routine cleaning.

It may be desirable to apply a silicone-free paste wax or other lubricant to the surfaces that move within the shooting board track to allow for smooth operation.

## Accessories

- 05Z15.05** 120x 9" PSA-Backed Sandpaper (12)
- 05Z15.07** 180x 9" PSA-Backed Sandpaper (12)
- 05Z15.09** 220x 9" PSA-Backed Sandpaper (12)
- 05Z15.15** 120x 17" PSA-Backed Sandpaper (12)
- 05Z15.17** 180x 17" PSA-Backed Sandpaper (12)
- 05Z15.19** 220x 17" PSA-Backed Sandpaper (12)